



**FOCALPOINT**

# MIRROR

## WALL MOUNTED ELECTRIC FIRE

### INSTALLATION AND USER INSTRUCTIONS



**FOCALPOINT**

All instructions must be handed to user for safekeeping

Revision A - 07/09

Country(s) of destination - GB/IE

Focal Point Fires plc, Avon Trading Park, Christchurch, Dorset BH23 2BT

Tel: 01202 499330 Fax: 01202 499326

[www.focalpointfires.co.uk](http://www.focalpointfires.co.uk)

e-mail: [sales@focalpointfires.co.uk](mailto:sales@focalpointfires.co.uk)



**FOCALPOINT**





'Mirror'

Section	Contents	Page No.	Section	Contents	Page No.
1.0	Important Notes	1	7.0	Appliance Disassembly	2
2.0	Installation Requirements	1	8.0	Fixing the Appliance	2
3.0	Appliance Data	1	9.0	Operating the Fire	3
4.0	Unpacking the Appliance	1	10.0	Safety Cut-Out System	3
5.0	Component Checklist	1	11.0	Maintenance	3
6.0	Site Requirements	1	12.0	Cleaning	3
			13.0	Spares	3

## 1.0 IMPORTANT NOTES:

**DO NOT** use this appliance immediately below a fixed socket outlet.

**DO NOT** use this appliance in the immediate vicinity of a bath, shower, swimming pool or other area where water/moisture could present a hazard.

- CAUTION: This appliance must not be used in conjunction with any timer, programmer or thermal control, or any other device that will switch on the appliance automatically, as a fire risk may occur if the heater is accidentally covered or displaced.
- Do not allow the heater to be covered as this may cause overheating. The appliance must not be placed near curtains or similar material. A clearance space of at least one metre should be allowed in front of the appliance.
- The electrical socket that the appliance uses **MUST** be easily accessible. Do not route the supply cord directly in front of the heater unit.
- If the cord is damaged, it must be replaced by a service agent or competent person.
- This appliance is not intended for use by persons (including children) with reduced physical, sensory or mental capabilities, or lack of experience and knowledge, unless they have been given supervision or instruction concerning use of the appliance by a person responsible for their safety.
- Children should be supervised to ensure that they do not play with the appliance.

## 2.0 INSTALLATION REQUIREMENTS:

The appliance is supplied with a pre-wired three pin plug, (13Amp fuse rated), and 2 metres of electrical cable. It is therefore necessary for a suitable electrical socket to be located within this distance and be easily accessible.

**This appliance is designed to be wall-hung, using the wall fixtures/fixings provided. DO NOT recess any part of appliance into the wall.**

## 3.0 APPLIANCE DATA:

Supply Voltage:	230/240V AC, 50Hz	Fuse Rating:	13 Amp
Heating Elements:	2 x 900W/2 x 1000W	Lighting:	2 x 60W Fireglow "BC" bulbs

## 4.0 UNPACKING THE APPLIANCE:

Read **all** the instructions before continuing to unpack or install this appliance. Carefully remove the appliance from its packaging and lay on the floor with its back surface downward. Note: **DO NOT** stand the appliance on its frame as this may cause distortion. Check that the remaining packaging contents correlate with the component checklist below. Please dispose of all packaging with care at your local recycling centre.

## 5.0 COMPONENT CHECKLIST:

QUANTITY	DESCRIPTION
1	Wall Heater
1	Bag of Decorative Pebbles
1	Instruction Booklet
1	Screw and Wall-Plug Pack (3 x 40mm pozi pan head screws/3 x wall plugs)

## 6.0 SITE REQUIREMENTS:

The appliance is designed for wall mounting only, at a minimum distance of 100mm from the floor or hearth to the bottom edge of the rear frame. The wall should be relatively flat and not interfere with any of the various vent holes in the back panel. The wall must be structurally sound and constructed of a material capable of withstanding moderate heat. Finished plaster, conventional wallpaper, dry-lined plasterboard are examples of suitable materials. Materials such as "flock blown vinyl" embossed paper which are sensitive to even small amounts of heat should be avoided as some discolouration may occur.

If the appliance is to be mounted on a dry lined or a timber framed construction wall then the integrity and ability of the wall to carry the weight of the appliance must be confirmed. It is important in these circumstances that any vapour control barrier and/or structural member of the house frame are not damaged.

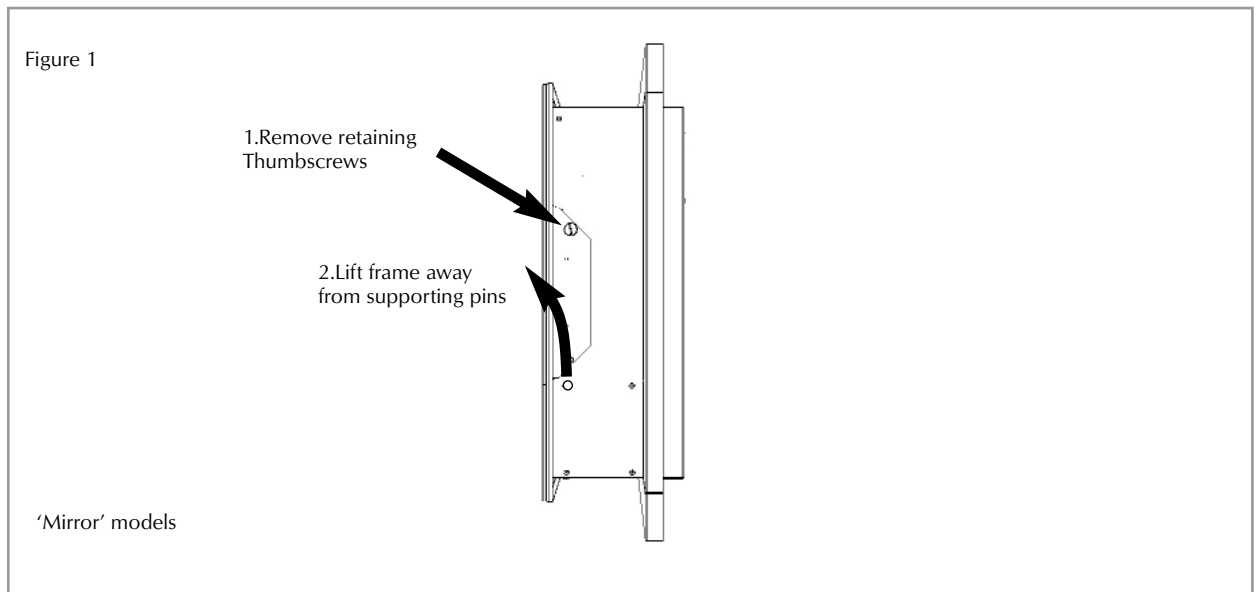
## 7.0

### APPLIANCE DISASSEMBLY:

**CAUTION: DO NOT CONNECT THE APPLIANCE TO THE ELECTRICAL SUPPLY AT THIS TIME**

#### Removing the decorative facia

The Appliance is supplied with a decorative facia fitted. This must be removed before the appliance can be wall mounted :



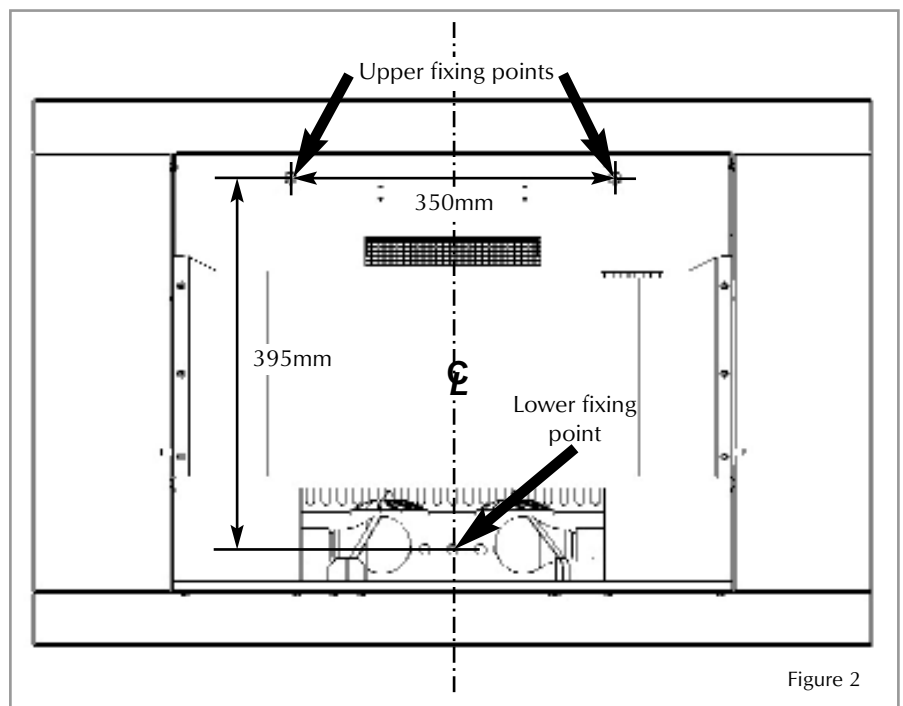
**Mirror models :** First, remove the retaining thumbscrews (one on each side of the appliance). Simply lift the frame upwards. Refitting is the reverse of removal. Ensure the cut-outs in the bottom of the frame support brackets engage the support pins on each side of the appliance.

## 8.0

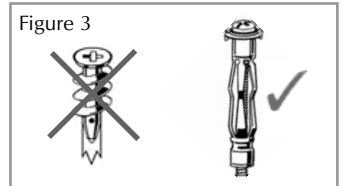
### FIXING THE APPLIANCE:

Focal Point Fires plc. assumes absolutely no responsibility for injuries and damages that may occur due to improper installation or handling. The appliance should not be installed until all wet plastering and/or dry wall sanding and wall painting has been completed. Do not block the ventilation holes of the appliance. The wall onto which the appliance is installed must be flat. Install only on a vertical surface. Avoid sloped surfaces. Installation onto anything other than a vertical wall may result in fire, damage or injury.

**Marking Positions:** Having selected the final mounting position for the appliance, taking into account the site requirements as detailed above, the fire can now be fixed to the wall. There are three fixing positions, two upper "hanging" positions, and one lower positions. Refer to Fig 3 for details. The two upper positions are located 85mm down from the top edge of the top frame, and are spaced 350mm apart about the centre line of the appliance. Once these have been marked the lower fixing position can then be marked. This is 395mm vertically below the upper fixing positions, on the appliance centre line. See Fig 2. Use a spirit level to ensure that the upper positions are horizontally aligned.



**Wall Fixings:** If the appliance is to be mounted on the inner leaf of a conventional cavity wall or a solid wall, drill three holes to a depth of 42mm using a 8mm masonry bit. Insert the wall-plugs provided. If the appliance is to be mounted on a dry lined wall or timber framed construction, then special cavity screw fixings will be required, that are not supplied with this product (see figure 3). Insert 2 x 40mm long fixing screws into the upper two wall-plugs, taking care to leave the screws protruding approximately 6mm from the wall. Now hang the appliance onto these upper screws through the two keyhole shaped holes in the upper brackets on the back panel of the appliance. Insert the lower fixing screw into the lower wall plug through the corresponding fixing hole in the lower part of the back panel. Do not tighten fully. Before tightening the wall mounting screws fully, at this stage it is recommended to check the horizontal alignment of the appliance with a spirit level, as small adjustments can still be made if necessary. When this has been checked, tighten all four fixing screws fully. To access the upper fixing screws insert a screwdriver through the access holes in the front face of the heater casing.



### Placement of Pebbles:

Peel off any remaining protective plastic coatings on the front and rear frame, backpanel and any other surfaces. Unpack the pebbles and arrange them over the fuel bed. The final pebble arrangement can only be done later when the appliance lamps are switched on. For the best visual effect, do not push the pebbles up against the back panel, leave a gap of approximately 40mm between the back panel and the pebbles. This allows light to shine up through the cut outs and illuminate the back panel.

## 9.0

### OPERATING THE FIRE:

#### Read all instructions before use

Check that the fan outlet, mounted underneath the opening at the top, is not covered or obstructed in any way, and ensure the power to the fire is switched on. The appliance is controlled using four switches mounted underneath the opening at the right hand side.

The left hand switch marked (0I), controls the main power to the appliance and switches on the visual light display. This feature can be used independently of the heating features.

The next switch marked (+) operates the fan blower without heat, and can be used for cool air circulation. However for this feature, the main power switch (0I), must also be in the "on" position.

The next switch with a "single bar" marked (I) operates the low heat, (1kW), setting.

The switch with "two single bars" marked (II) operates the high heat, (2kW), setting.

To operate the fire in any of the above modes, the left hand switch marked (0I) must be switched to the "on" position. To operate the fire, the left switch must be turned on first, followed by the second switch to start the blower, if required. To obtain heat from the appliance, the I switch must then be operated for LOW heat, followed by the II switch for the HIGH heat setting.

The appliance can be switched off at any time, irrespective of the particular mode selected, by simply switching the left hand switch marked (0I) to the "off" position. It is also recommended to unplug the power supply cable at the supply outlet when not in use.

## 10.0

### SAFETY CUT-OUT SYSTEM:

This appliance has a safety cut-out system fitted which will activate if the air inlets or outlets are obstructed. For safety reasons the fire WILL NOT switch on again automatically.

NOTE: The visual light effect will remain operational if the cut-out is activated, only the fan heater is prevented from operating.

The following procedure must be carried out before the fire can be operated again:

Unplug the power supply cable at the outlet socket and place all switches to off at the appliance. Leave the fire OFF for a period of not less than 10 minutes, ensuring any obstructions are removed. Plug in the power supply cable at the outlet socket, and then switch on at the appliance.

If the appliance fails to operate correctly, repeat the above procedure. If an attempt to switch on is made before the safety cut-out has reset, the heaters may cut-out for a further period of time. If the sequence has been followed correctly and the heaters still fail to function, check the power supply cable plug is plugged in to the outlet socket. If this is not the cause, call an electrician.

## 11.0

### MAINTENANCE:

**ALWAYS DISCONNECT THE APPLIANCE FROM THE MAINS SUPPLY OUTLET SOCKET BEFORE UNDERTAKING ANY MAINTENANCE.**

Excluding lamps and fuses, use only genuine spare parts available from your supplier. Replacement lamps must be of the same wattage and specification as those stated in Section 3.0 Appliance Data.

#### Replacing the light bulbs.

1. Switch off at the appliance, and then disconnect the appliance at the outlet socket.
2. Remove the decorative fascia from the appliance (see section 6.0).
3. Remove the light bulb(s). Note that the bulbs have a conventional bayonet fitting. Replace with a new bulb(s).
4. Replace the decorative fascia.
5. Reconnect electrical supply and check for correct operation of lamps and both spinner assemblies.

## 12.0

### CLEANING:

**ALWAYS DISCONNECT THE APPLIANCE FROM THE MAINS SUPPLY OUTLET SOCKET BEFORE UNDERTAKING ANY MAINTENANCE.**

There are no specific requirements for care, other than regular cleaning of the general appliance. A wipe with a dry cloth is normally sufficient. **DO NOT** use abrasive cleaners as they can damage the finish. Stainless steel parts (where applicable) may be cleaned using an appropriate metal cleaner or baby oil. Test on a hidden part of the stainless steel before cleaning. Clean only in the direction of the grain. Mirror surfaces may be cleaned using normal glass cleaner.

## 13.0

### SPARES:

Refer to Section 3.0 Appliance Data for lamp and fuse specification. Excluding lamps and fuses, use only genuine manufacturers spare parts available from your supplier.



Waste electrical products should not be disposed of with household waste. Please recycle where facilities exist. Check with your local authority or retailer for recycling advice.

As our policy is one of continuous improvement and development, we therefore hope that you will understand we must retain the right to amend details and/or specifications without prior notice.